

Mac's Vertical Home Lift Technical Specifications

MODEL: PL-50 and PL-72

SERIES: 750R

RATED LOAD: 750 lbs maximum

NUMBER OF PASSENGERS: 1 passenger with mobility equipment

DRIVE: AC Powered lift: 1/2 hp instant reverse motor, 115 VAC, 5.9 amp

DC Powered lift: 1/2 hp motor, 12 VDC

INTERMEDIATE REDUCTION: V belt and pulley

FINAL DRIVE: #50 drive chain

MOTOR CONTROLLER: AC Powered lift: 24 VAC, 2 contactors; 1 up and 1 down

DC Powered lift: 12 VDC, 2 contactors; 1 up and 1 down

STANDARD CONTROL: Constant pressure paddle control with key switch

SPEED: 10 feet per minute

LIFTING HEIGHT: Model PL-50 has a 51" maximum lifting height

Model PL-72 has a 72" maximum lifting height

PLATFORM SIZE: 32" x 48", straight thru platform (standard)

36" x 54", 90 degree exit platform; LG 54 straight thru platform

36" x 60", LG 90 degree exit platform, LG 60 straight thru platform

MAIN FRAME CONSTRUCTION: Formed steel welded construction

CARRIAGE CONSTRUCTION: Steel tubing and formed channel welded construction

PLATFORM CONSTRUCTION: 1" steel tubing

AUTOMATIC LOWER RAMP: 12" automatic lowering ramp

MANUAL LOWERING DEVICE: Standard. Manual hand crank to raise and lower lift

FINISH: Exterior grade powder coat paint, sandblast and primer

LIMIT SWITCHES: Adjustable upper final limit switch

WEIGHT OF UNIT: Model PL-50R: 425 lbs

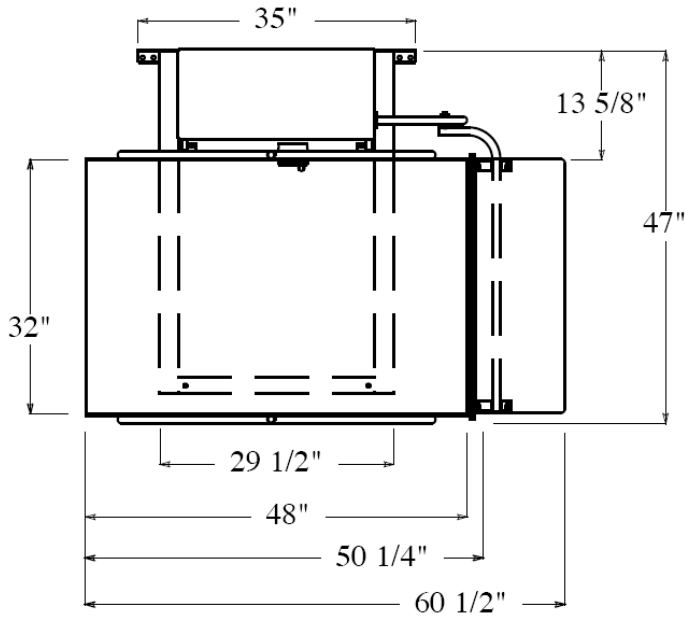
Model PL-72R: 475 lbs



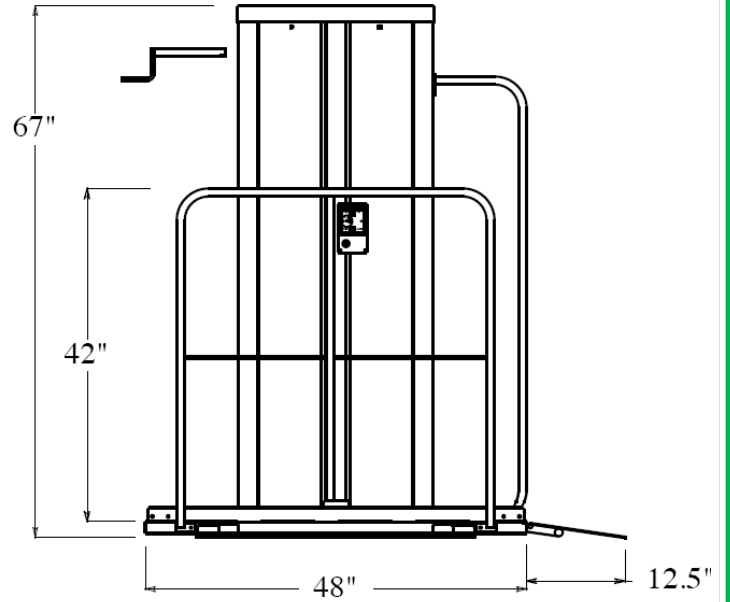
Mac's Lift Gate Inc. 2801 South Street Long Beach California 90805
Tel: (800) 795-6227 www.macsliftgate.com sales@macsliftgate.com

Mac's Vertical Home Lift Technical Specifications

PL-50R TOP VIEW: 32X48
INCH PLATFORM

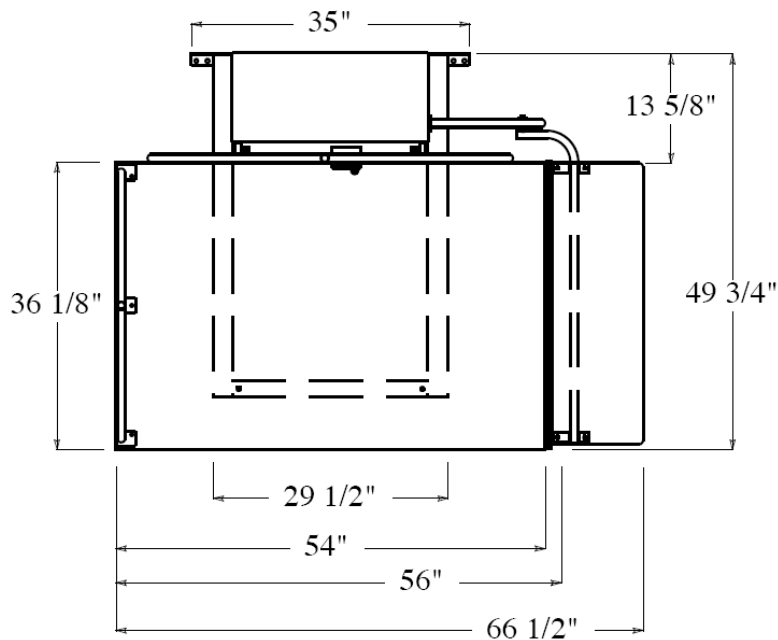


PL-50R FRONT VIEW: 32X48
INCH PLATFORM



PL-72R SIDE VIEW: 32X48
INCH PLATFORM

PL-50R TOP VIEW: 36X54
INCH 90 DEGREE EXIT
PLATFORM



EMERGENCY
HAND CRANK

